

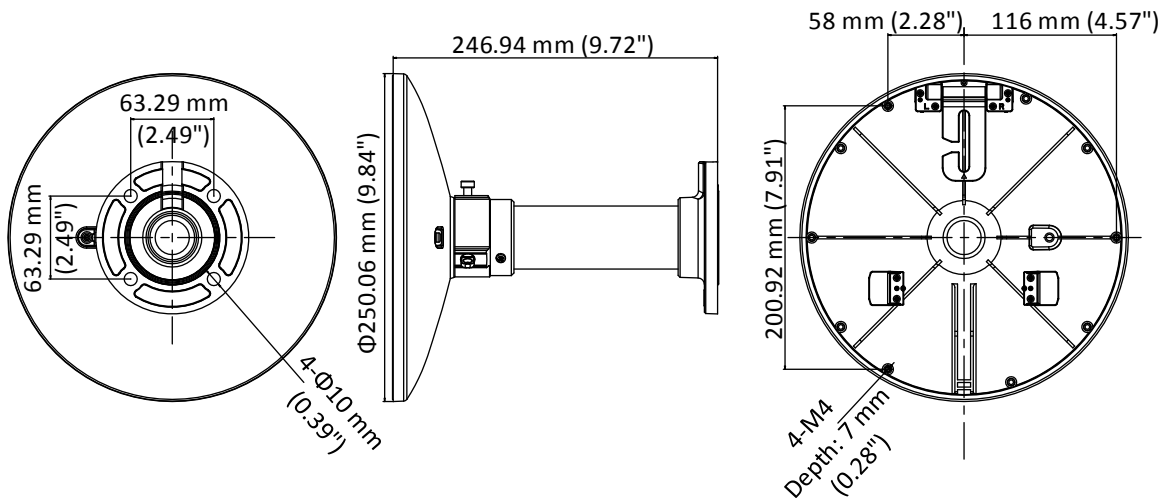
DS-1661ZJ-6D

Pendant Mount

Feature

- Made of aluminum alloy and stainless steel
- Quick installation
- Applicable to speed domes for pendant mounting

Dimension



Available Model

DS-1661ZJ-6D

Parameter

| | |
|------------------|--|
| Model | DS-1661ZJ-6D |
| Parameters | Pendant Mount |
| Appearance | Hikvision White |
| Application | For indoor and outdoor installation |
| Material | Aluminum alloy, stainless steel, and silicone rubber |
| Angle Adjustment | Pan: 0° to 350° |
| Dimension | Φ 250 mm × 247 mm (Φ 9.84 " × 9.72") |
| Weight | Approx. 1338 g (2.95 lb.) |

Note

- The pendant mount should be installed on a flat surface.
- Waterproof rubber is necessary for outdoor application.
- The wall should be capable of supporting at least 3 times as much as the total weight of the camera and the pendant mount.
- The maximum load capacity of the pendant mount is 10 kg (22.05 lb.).