

## DS-2CD2T67G2-L 6 MP ColorVu Fixed Bullet Network Camera

# ColorVu



Hikvision ColorVu technology provides 24/7 vivid colorful images with F1.0 advanced lenses, high performance sensors and friendly lighting. F1.0 super-aperture collects more light to produce brighter images. Advanced sensor technology can vastly improve the utilization of available light.

- High quality imaging with 6 MP resolution
- 24/7 colorful imaging
- Efficient H.265+ compression technology
- Clear imaging against strong back light due to 130 dB WDR technology
- Focus on human and vehicle classification based on deep learning
- Water and dust resistant (IP67)

## ▪ Specification

| Camera                      |   |
|-----------------------------|---|
| Image Sensor                | 1/1.8" Progressive Scan CMOS  |
| Max. Resolution             | 3200 × 1800   |
| Min. Illumination           | Color: 0.0008 Lux @ (F1.0, AGC ON), 0 Lux with light  |
| Shutter Time                | 1/3 s to 1/100,000 s  |
| Day & Night                 | 24/7 color imaging  |
| Angle Adjustment            | Pan: 0° to 360°, tilt: 0° to 90°, rotate: 0° to 360°  |
| Lens                        |   |
| Lens Type                   | Fixed focal lens, 2.8, 4, and 6 mm optional   |
| Focal Length & FOV          | 2.8mm, Horizontal FOV: 109°, Vertical FOV: 59°, Diagonal FOV: 130°<br>4 mm, Horizontal FOV: 93°, Vertical FOV: 49°, Diagonal FOV: 111°<br>6 mm, Horizontal FOV: 57°, Vertical FOV: 30°, Diagonal FOV: 67° |
| Lens Mount                  | M16   |
| Iris Type                   | Fixed   |
| Aperture                    | F1.0  |
| Depth of Field              | 2.8 mm: 3.1 m to ∞<br>4 mm: 3.5 m to ∞<br>6 mm: 8.2 m to ∞  |
| DORI                        |   |
| DORI                        | 2.8 mm, D: 84 m, O: 33 m, R: 16 m, I: 8 m<br>4 mm, D: 102 m, O: 40 m, R: 20 m, I: 10 m<br>6 mm, D: 168 m, O: 66 m, R: 33 m, I: 16 m   |
| Illuminator                 |   |
| Supplement Light Type       | White Light   |
| Supplement Light Range      | Up to 60 m  |
| Smart Supplement Light      | Yes   |
| Video                       |   |
| Main Stream                 | 50 Hz:<br>25 fps (3200 × 1800, 2688 × 1520, 1920 × 1080, 1280 × 720)<br>60 Hz:<br>24 fps (3200 × 1800)<br>30 fps (2688 × 1520, 1920 × 1080, 1280 × 720)   |
| Sub-Stream                  | 50 Hz: 25 fps (1280 × 720, 640 × 480, 640 × 360)<br>60 Hz: 30 fps (1280 × 720, 640 × 480, 640 × 360)  |
| Third Stream                | 50 Hz: 10 fps (1920 × 1080, 1280 × 720, 640 × 480, 640 × 360)<br>60 Hz: 10 fps (1920 × 1080, 1280 × 720, 640 × 480, 640 × 360)  |
| Video Compression           | Main stream: H.265+/H.265/H.264+/H.264,<br>Sub-stream: H.265/H.264/MJPEG,<br>Third stream: H.265/H.264  |
| Video Bit Rate              | 32 Kbps to 16 Mbps  |
| H.264 Type                  | Baseline Profile, Main Profile, High Profile  |
| H.265 Type                  | Main Profile  |
| Bit Rate Control            | CBR, VBR  |
| Scalable Video Coding (SVC) | H.264 and H.265 encoding  |
| Region of Interest (ROI)    | 1 fixed region(s) for main stream and sub-stream  |

| <b>Network</b>                |  |
|-------------------------------|--|
| Protocols                     | TCP/IP, ICMP, HTTP, HTTPS, FTP, DHCP, DNS, DDNS, RTP, RTSP, NTP, UPnP, SMTP, IGMP, 802.1X, QoS, IPv6, UDP, Bonjour, SSL/TLS, PPPoE, SNMP, WebSocket, WebSockets  |
| Simultaneous Live View        | Up to 6 channels   |
| API                           | Open Network Video Interface ( Profile S, Profile G, Profile T), ISAPI, SDK, ISUP  |
| User/Host                     | Up to 32 users<br>3 user levels: administrator, operator, and user   |
| Security                      | Password protection, complicated password, HTTPS encryption, 802.1X authentication (EAP-TLS, EAP-LEAP, EAP-MD5), watermark, IP address filter, basic and digest authentication for HTTP/HTTPS, WSSE and digest authentication for Open Network Video Interface, RTP/RTSP over HTTPS, control timeout settings, security audit log, TLS 1.2, TLS 1.3, host authentication (MAC address) |
| Network Storage               | NAS (NFS, SMB/CIFS), Auto Network Replenishment (ANR), Together with high-end Hikvision memory card, memory card encryption and health detection are supported.  |
| Client                        | iVMS-4200, Hik-Connect, Hik-Central  |
| Web Browser                   | Plug-in required live view: IE10+,<br>Plug-in free live view: Chrome 57.0+, Firefox 52.0+, Safari 12+,<br>Local service: Chrome 57.0+, Firefox 52.0+   |
| <b>Image</b>                  |  |
| Image Parameters Switch       | Yes  |
| Image Settings                | Rotate mode, saturation, brightness, contrast, sharpness, gain, white balance, adjustable by client software or web browser  |
| Day/Night Switch              | Day, Night, Auto, Schedule   |
| Wide Dynamic Range (WDR)      | 130 dB   |
| SNR                           | ≥ 52 dB  |
| Image Enhancement             | BLC, HLC, 3D DNR   |
| Privacy Mask                  | 4 regions of privacy mask  |
| <b>Interface</b>              |  |
| Ethernet Interface            | 1 RJ45 10 M/100 M self-adaptive Ethernet port  |
| On-Board Storage              | Built-in memory card slot, support microSD card, up to 256 GB  |
| Reset Key                     | Yes  |
| <b>Event</b>                  |  |
| Basic Event                   | Motion detection (support alarm triggering by specified target types (human and vehicle)), video tampering alarm, exception  |
| Smart Event                   | Line crossing detection, intrusion detection, region entrance detection, region exiting detection (support alarm triggered by specified target types (human and vehicle)), scene change detection  |
| Linkage                       | Upload to FTP/NAS/memory card, notify surveillance center, send email, trigger recording, trigger capture, supplement light  |
| <b>Deep Learning Function</b> |  |
| Face Capture                  | Yes  |

| General                          |   |
|----------------------------------|---|
| Power                            | 12 VDC $\pm$ 25%, 0.67 A, max. 8.0 W, $\varnothing$ 5.5 mm coaxial power plug, reverse polarity protection,<br>PoE: 802.3af, Class 3, 36 V to 57 V, 0.27 A to 0.17 A, max. 9.5 W  |
| Material                         | Metal   |
| Dimension                        | 286.7 mm $\times$ 93.1 mm $\times$ 91.2 mm (11.3" $\times$ 3.7" $\times$ 3.6")  |
| Package Dimension                | 386 mm $\times$ 155 mm $\times$ 156 mm (15.2" $\times$ 6.1" $\times$ 6.1")  |
| Weight                           | Approx. 1.11 kg (2.4 lb.)   |
| With Package Weight              | Approx. 1.61 kg (3.5 lb.)   |
| Storage Conditions               | -30 °C to 60 °C (-22 °F to 140 °F). Humidity 95% or less (non-condensing)   |
| Startup and Operating Conditions | -30 °C to 60 °C (-22 °F to 140 °F). Humidity 95% or less (non-condensing)   |
| Language                         | 33 languages: English, Russian, Estonian, Bulgarian, Hungarian, Greek, German, Italian, Czech, Slovak, French, Polish, Dutch, Portuguese, Spanish, Romanian, Danish, Swedish, Norwegian, Finnish, Croatian, Slovenian, Serbian, Turkish, Korean, Traditional Chinese, Thai, Vietnamese, Japanese, Latvian, Lithuanian, Portuguese (Brazil), Ukrainian |
| General Function                 | Heartbeat, anti-banding, mirror, flash log, password reset via email, pixel counter, password protection, one-key reset, three streams  |
| Approval                         |   |
| EMC                              | FCC: 47 CFR Part 15, Subpart B,<br>CE-EMC: EN 55032: 2015, EN 61000-3-2: 2019, EN 61000-3-3: 2013+A1: 2019, EN 50130-4: 2011+A1: 2014,<br>RCM: AS/NZS CISPR 32: 2015,<br>IC: ICES-003: Issue 7  |
| Safety                           | UL: UL 62368-1,<br>CB: IEC 62368-1: 2014+A11,<br>CE-LVD: EN 62368-1: 2014/A11: 2017   |
| Environment                      | CE-RoHS: 2011/65/EU,<br>WEEE: 2012/19/EU,<br>Reach: Regulation (EC) No 1907/2006  |
| Protection                       | IP67: IEC 60529-2013  |

## ▪ Typical Application

Hikvision products are classified into three levels according to their anti-corrosion performance. Refer to the following description to choose for your using environment.

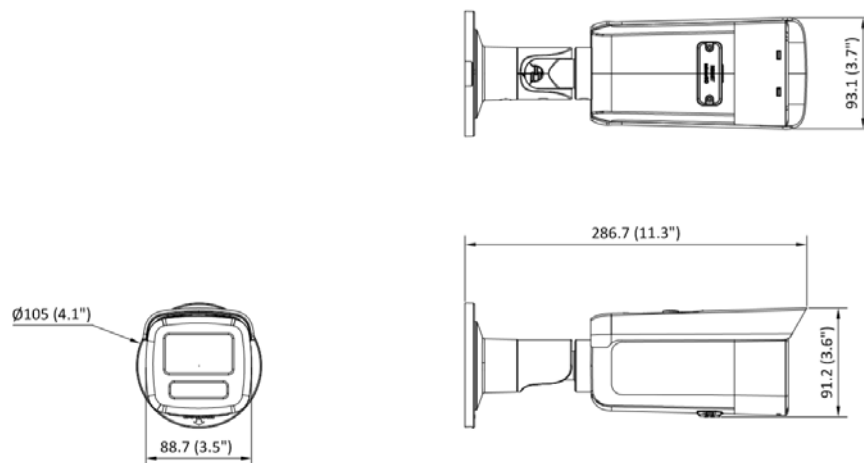
This model has NO SPECIFIC PROTECTION.

| Level                  | Description  |
|------------------------|--|
| Top-level protection   | Hikvision products at this level are equipped for use in areas where professional anti-corrosion protection is a must. Typical application scenarios include coastlines, docks, chemical plants, and more.   |
| Moderate protection    | Hikvision products at this level are equipped for use in areas with moderate anti-corrosion demands. Typical application scenarios include coastal areas about 2 kilometers (1.24 miles) away from coastlines, as well as areas affected by acid rain. |
| No specific protection | Hikvision products at this level are equipped for use in areas where no specific anti-corrosion protection is needed.  |

## ▪ Available Model

DS-2CD2T67G2-L (2.8/4/6 mm)






## ▪ Dimension



Unit:mm (inch)

▪ **Accessory**

▪ **Optional**

| DS-1275ZJ-S-SUS<br>Vertical Pole Mount  | DS-1280ZJ-S<br>Junction Box   | DS-1276ZJ-SUS<br>Corner Mount   | DS-1275ZJ-SUS<br>Vertical Pole Mount  | DS-1260ZJ<br>Junction Box   |
|---|---|---|---|---|
|  |  |  |  |  |

**Headquarters**

No.555 Qianmo Road, Binjiang District,  
Hangzhou 310051, China  
T +86-571-8807-5998  
www.hikvision.com



Follow us on social media to get the latest product and solution information.

